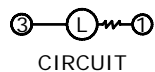
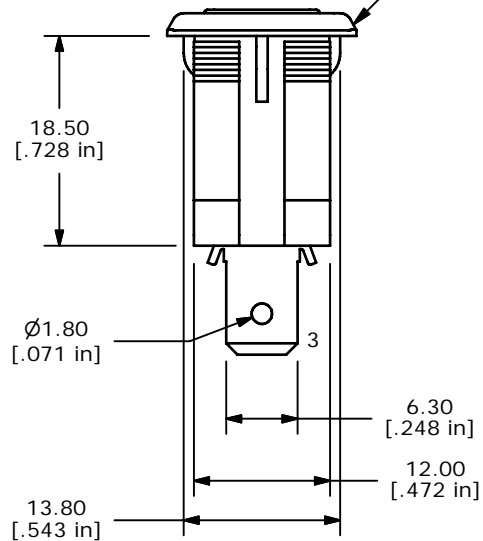
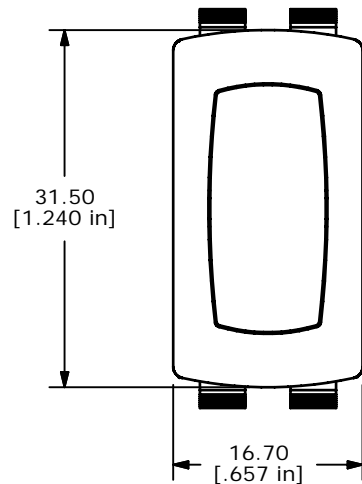


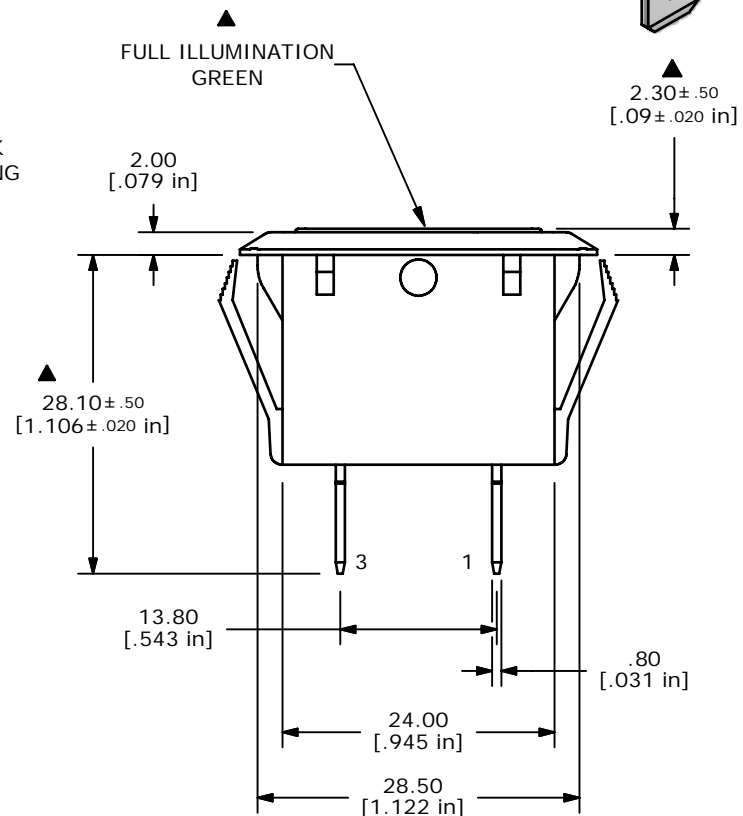
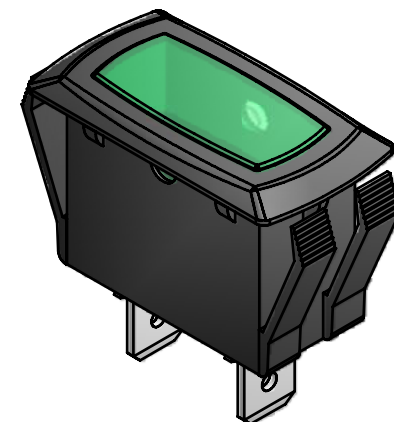
SUGGESTED PANEL CUTOUT



- NOTES:
1. ALL DIMENSIONS IN MM [INCH]
 2. GENERAL TOLERANCE: X.X=±0.4
X.XX=±0.25
 3. TERM. NOS. FOR REF. ONLY
 - ▲ 4. FUNCTION: SIGNAL LIGHT
 - ▲ 5. LAMP VOLTAGE: 250V NEON BULB
 6. ▲ DENOTES CRITICAL PARAMETER.
 7. 2002/95/EC (ROHS) COMPLIANT.
 - ▲ 8. MATERIAL:
HOUSING: POLYAMIDE 6/6, UL94V0, CM3004
ACTUATOR: POLYCARBONATE, UL94V0



BLACK HOUSING



TITLE RSCHT14001000-137

A	20610	Release For Production	5/16/12	rc
REV	PCR NO	DESCRIPTION	DATE	BY

THE INFORMATION CONTAINED IN THIS DOCUMENT IS PROPRIETARY TO E-SWITCH AND IS NOT TO BE COPIED OR TRANSFERRED

SCALE	DATE	DR	DWG	REV
1.5 : 1	4/9/2012	rc	14-RSCS00224	A